

## FSPHONE & FSPHONE4X

Total Home Surge Protection



### Phone Surge Protection

Siemens FSPHONE is a 2 pair, hardwired surge protector for telephone, DSL or modem connected electronics in residential and light commercial applications. The FSPHONE protects against electrical power surges that can enter through the main telephone connection and is equipped with a failshort device to permanently ground the telephone line in the event of a power cross. The FSPHONE is designed for indoor applications or can be mounted inside another weatherproof enclosure for outdoor mounting applications.

The FSPHONE4X consists of the FSPHONE plus a weatherproof enclosure to facilitate indoor or outdoor applications. The enclosure is molded of temperature and humidity resistant thermoplastic to resist cracking and discoloration. The cover can be secured with a tie wrap or similar locking device.

For total home protection please use FirstSurge™ to protect your incoming AC Power lines and FSPHONE to protect your incoming telephone line.

## Features & Benefits

- UL listed
- Hardwired Modem/Fax/DSL protection
- Easy to install
- Exceptionally fast response time
- Low insertion loss
- Available with or without enclosure
- 5-Year product warranty\*

\* See website for warranty terms and conditions.

## Installation Instructions:

Do Not Install During Active Storm Conditions.

This device can be used indoor (FSPHONE), or outdoor when installed in weatherproof housing (FSPHONE4X). Failure to follow installation instructions can result in personal injury and/or equipment damage not covered by warranty.

FSPHONE – For indoor use:

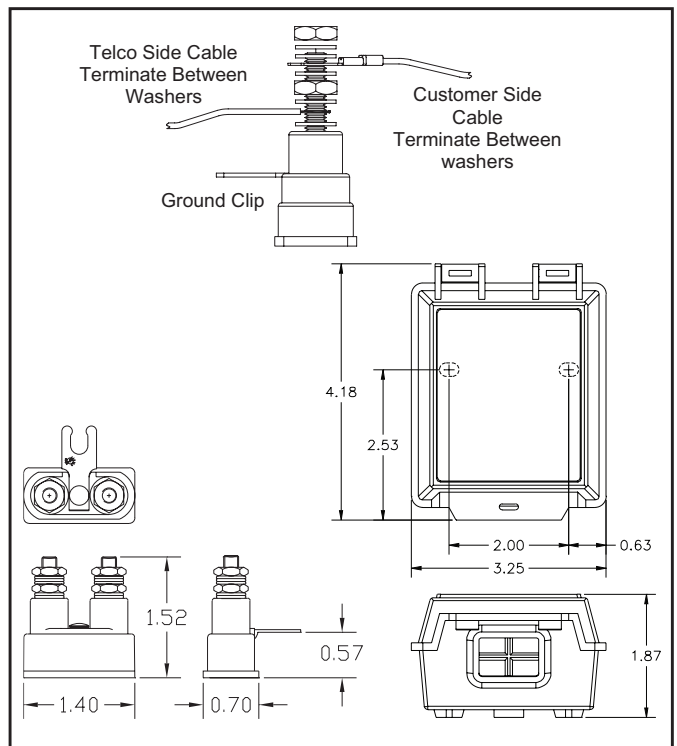
1. FSPHONE protects 2 pairs (1 pair per protector module) and is intended for indoor use only, without additional housing.
2. Attach securely to mounting surface.
3. Install ground wire, and if applicable, service shield, under top center nut of mounting bracket and tighten nut securely.
4. Connect one pair (tip and ring) under the bottom nut on each protector module, tip on one post, ring on the other.
5. Connect the customer wiring, tip and ring, under the top nut on the same protector module (protector is wired in parallel)
6. Check all wiring for loose connections and shorting or broken wires.

FSPHONE4X – For outdoor use:

1. Mount weatherproof housing securely to flat surface.
2. Conductors will enter and exit from the flexible gromet located at bottom of enclosure.
3. Follow instruction above for FSPHONE connections.
4. Secure enclosure with tie wrap or similar locking device.
5. The FSPHONE4X is a Parallel Device.

| Technical Specifications  |   |
|---|---|
| Catastrophic Surge Circuit  | Yes   |
| Spike Capacity  | 200 Amps  |
| Let Through Voltage   | <270 V  |
| Overcurrent Protection  | Yes   |
| Response Time   | <1 nanosecond                                       |
| Environmentally Sealed  | Yes   |
| Agency Approvals & Warranty   |   |
| UL/cUL Listings   | 497C  |
| Meets Telcordia (formally Bellcore) GR-974-CORE Requirements for Telecommunications Line Protectors | Yes   |
| Product Warranty  | 5 Years   |
| Catalog Number  |   |
| FSPHONE   | 2 pair protection module                            |
| FSPHONE4X   | 2 pair protection module & 1 Weatherproof Enclosure |

UL Model No. - SATH2



Siemens Canada Limited  
1577 North Service Road East  
Oakville, ON L6H 0H6

888-333-3545  
info@purgethesurge.com

Order No. EM-LP-1412 | Printed in USA |  
© 2015, Siemens Industry, Inc.

[www.siemens.ca/surge](http://www.siemens.ca/surge)

The information provided in this flyer contains merely general descriptions or characteristics of performance which in case of actual use do not always apply as described or which may change as a result of further development of the products. An obligation to provide the respective characteristics shall only exist if expressly agreed in the terms of contract.

All product designations may be trademarks or product names of Siemens AG or supplier companies whose use by third parties for their own purposes could violate the rights of the owners.