

# TPS3 03 DC

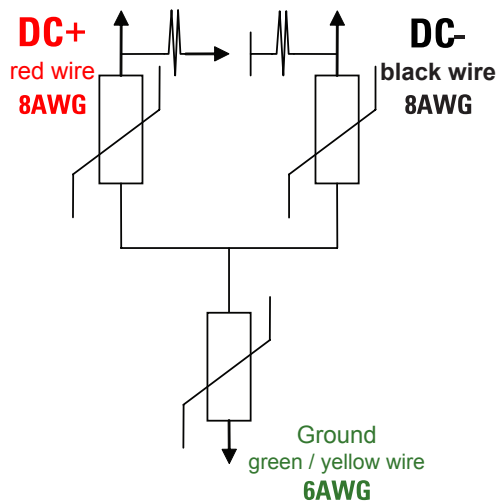
## For DC Photovoltaic Applications

TPS3 03 DC is available in 300VDC, 600VDC and 1000VDC versions, which are designed to protect photovoltaic electrical systems. Typical PV installation would be on the DC solar panel side and also on the AC side of the inverter/converter. AC voltage TPS3 03s are also available. SPDs are highly recommended when lightning activity is present to protect sensitive electrical photovoltaic components.

TPS3 03 DC is designed as a stand alone device in a NEMA 4X polycarbonate enclosure. Large block, thermally protected 50 kA MOVs are utilized. A green LED illuminates for diagnostic monitoring. TPS3 03 DC comes standard with a Tri-Mount installation kit which allows it to be Nipple, DIN-rail or Bracket mounted.



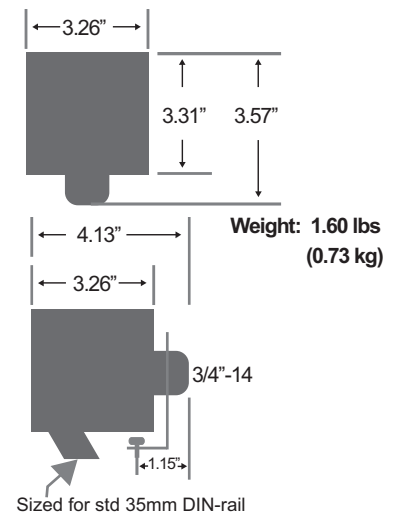
### Diagram



### Tri-Mount Installation Mounting Kit Included



### Dimensions



UL 1449 3rd Edition SPD

**SIEMENS**

## Performance Data

Siemens Part Number		TPS3M03052	TPS3R03052	TPS3P03052
Modes of Protection		DC+ – DC- , DC+ – Ground, DC- – Ground		
Nominal Network Voltage	$U_n$	300VDC	600VDC	1000VDC
Technology		Large Block, Thermally Protected 50kA MOVs		
Maximum Continuous Operating Voltage DC	$U_c$	425VDC	760VDC	1180VDC
Maximum Surge Current (8/20 $\mu$ s)	$I_{max}$	50kA	50kA	50kA
Nominal Discharge Current (8/20 $\mu$ s)	$I_n$	20kA	20kA	10kA
Voltage Protection Level (3kA 8/20 $\mu$ s)	$U_p$	<600V	<1800V	<2500V
Operating Temperature		-40°C + 65°C		
Response Time	$t_A$	<1ns		
Installation mounting method		DIN Rail, Nipple or Bracket		
Enclosure Material		NEMA 4X Polycarbonate		
Wiring (red = + , black = - , green / yellow =gnd)		Pre-wired w/3'(~1m) of 8AWG + 6AWG Ground Conductor		
Diagnostic circuit		Low Consumption LED Indicator		
Safety Disconnectors		Thermal/Overcurrent Protection; Arc-Breaking Slide Gate		
UL Listing		UL listed to UL 1449 as DC SPD for use in PV applications		
Warranty		5 Years		

Siemens Canada Limited  
1577 North Service Road East  
Oakville, ON L6H 0H6

SPD Hotline: 888.333.3545  
info@purgethesurge.com

©2013 Siemens Canada Limited, Inc.  
All Rights Reserved. Siemens is a registered trademark of Siemens AG. Product names mentioned may be trademarks or registered trademarks of their respective companies. Specifications are subject to change without notice.

[www.siemens.ca/surge](http://www.siemens.ca/surge)  
[www.siemens.ca](http://www.siemens.ca)