

TPS3 L15

True 10 Mode Protection

Type 1 Surge Protective Device (SPD) For Line Side or Load Side Applications

Features:

- UL 1449 3rd Edition – 2009, cUL
- Type 1 SPD (Type 2 cUL)
- Mounts external to electrical distribution equipment
 - Recommended for line side or load side applications
- When "P" option is selected, TPS3 15, Type 1 SPD mounts internal to: SMP, FCI, FCII switchboards, Type WL low voltage switchgear and TIASTAR motor control centres
- Large block, individually fused, thermally protected, 50 kA MOVs
- 20 kA I_n (most models)
- 200 kA SCCR (most models)
- Single TPS6 style replaceable modules
- Provides redundant replaceable module protection for medium to high exposure applications
- Internal rotary disconnect switch included
- All UL-required OCP & safety coordination included
- UL96A Lightning Protection Master Label compliant (@ 20 kA I_n)

■ SPD Specifications

- Directly connected discrete protection elements between all possible modes providing true 10 mode protection
 - Surge Current Rating Per Phase
- | Per Phase | L-N | L-G | L-L | N-G |
|-----------|--------|--------|--------|--------|
| 600 kA | 300 kA | 300 kA | 300 kA | 300 kA |
| 900 kA | 450 kA | 450 kA | 450 kA | 450 kA |
- 100% monitoring (Every MOV is monitored, incl. N-G)
 - Individually fused and thermally protected MOVs
 - Solid state bi-directional operation
 - EMI/RFI filtering: Active tracking up to -50 db from 10 kHz to 100 MHz
 - Repetitive impulse: 5,000 hits
 - Less than 1 nanosecond response time
 - Relative humidity range: 0 -95% non-condensing
 - Operating frequency: 47-63 Hz
 - Operating temperature: -25°C (-15°F) to +60°C (140°F)

■ Standard Configuraton

- Standard NEMA 1/12/3R/04 ANSI 61 steel enclosure
- Internal rotary disconnect switch
- Wire size: #8 AWG to 1/0
- Standard size: 20" X 20" X 7" (508 mm X 508 mm X 178 mm) *
- Standard weight: 64 lbs. (29 kg) *

*Other NEMA ratings may increase enclosure size and weight



UL 1449 3rd Edition SPD

SIEMENS

■ SPD Features

- UL 1449 3rd Edition effective September 2009
- Designed, manufactured and tested consistent with:
 - ANSI/IEEE C62.41.1-2002, c62.41.2-2002, C62.45-2002,
 - 1992/2000 NEMA LS-1
 - NEC® Article 285
 - IEC 61643, CE
- Large block, individually fused, thermally protected, 50 kA MOVs
- Internal rotary disconnect switch
- 10 year warranty

■ SPD Monitoring

- LED indicators
- Audible alarm with silence switch and test button
- Dry contacts

■ Available Options

- Surge counter
- Thru-door disconnect switch
- NEMA 4X non-metallic enclosure
- NEMA 4X stainless steel enclosure
- Flush mount enclosure
- NEMA 1 enclosure with extended display❷

■ Available Accessories

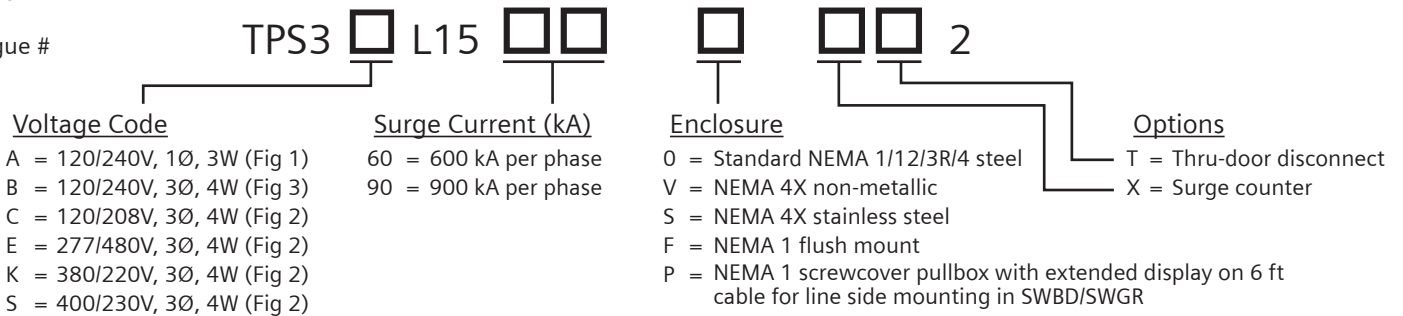
- RMSIE = Remote monitor

■ Key Bid Specifications

- UL 1449 3rd Edition – 2009, cUL
- Type 2 SPD❶
- Protection modes on L-N, L-G, L-L, N-G
- I_n Rating – 20 kA
- Short Circuit Current Rating – 200 kA
- Surge Current Rating
Per Phase = L-N + L-G + L-L
600 kA 200 kA 200 kA 200 kA

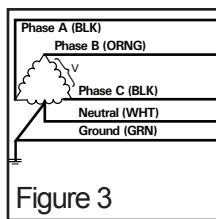
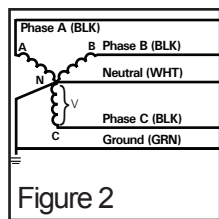
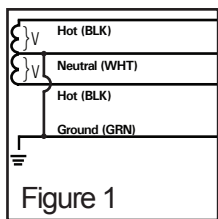
Ordering Information

Catalogue #



- Example: TPS3CL15600X02 = 10 Mode, Type 2 SPD for a 208/120V application with a surge current capacity of 600 kA per phase, in a standard NEMA 1/12/3R/4 enclosure with a surge counter option
- When an option is not selected, include a zero (0) in the field

UL 1449 3rd Edition - 2009 Test Data Summary									
Voltage Protection Rating (VPR - 6kV, 3 kA)									
Voltage Code	Service Voltage	L-N	L-G	N-G	L-L	TYPE❶	I _n	SCCR	MCOV
A	120/240V, 1Ø, 3W (Fig 1)	600	600	700	1000	Type 2	20 kA	100 kA	150
B	120/240V, 3Ø, 4W (Fig 3)	600 / 1100	600 / 1000	700	1000/1800	Type 2	20 kA	200 kA	150 / 320
C	120/208V, 3Ø, 4W (Fig 2)	600	600	700	1000	Type 2	20 kA	200 kA	150
E	277/480V, 3Ø, 4W (Fig 2)	1100	1000	1000	1800	Type 2	20 kA	200 kA	320
K	380/220V, 3Ø, 4W (Fig 2)	1100	1000	1000	1800	Type 2	20 kA	200 kA	320
S	400/230V, 3Ø, 4W (Fig 2)	1100	1000	1000	1800	Type 2	20 kA	200 kA	320



Siemens Canada Limited
 1577 North Service Road East
 Oakville, ON L6H 0H6

SPD Hotline: 888.333.3545
 info@purgethesurge.com

©2013 Siemens Canada Limited, Inc.
 All Rights Reserved. Siemens is a registered trademark of Siemens AG. Product names mentioned may be trademarks or registered trademarks of their respective companies. Specifications are subject to change without notice.

Notes:

- ❶ Type 1 UL
- ❷ For line side mounting in SWBD/SWGR

www.siemens.ca/surge
 www.siemens.ca