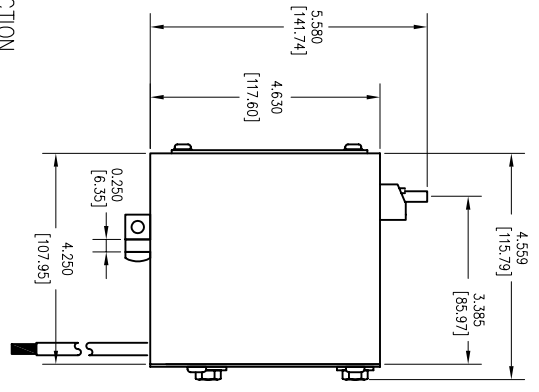
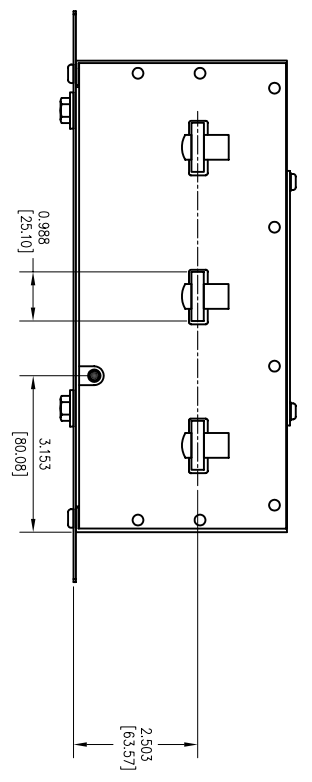
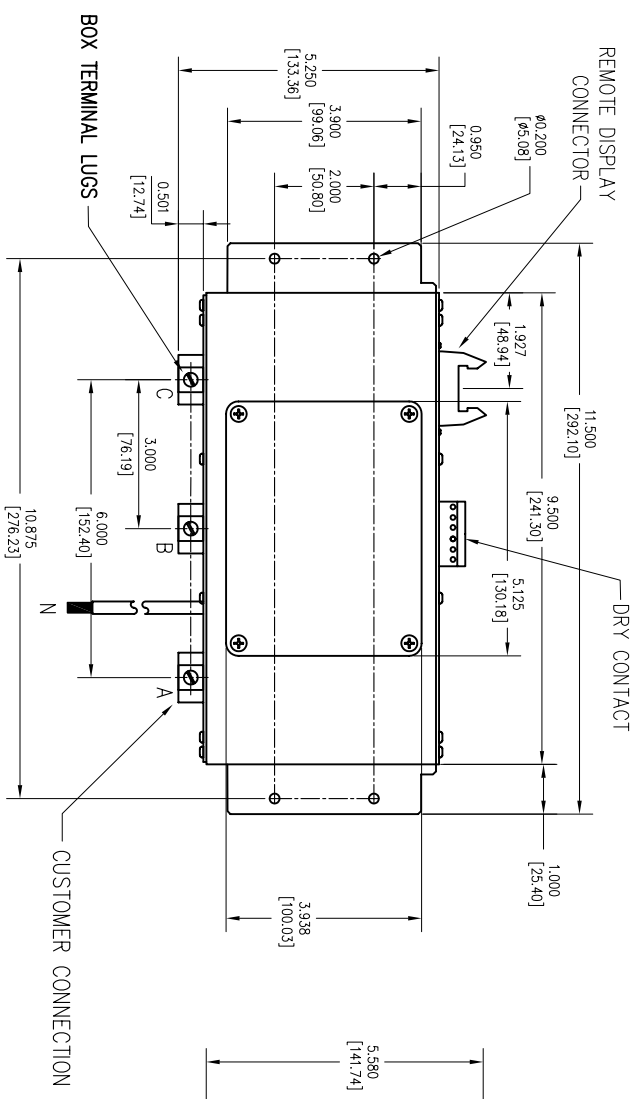
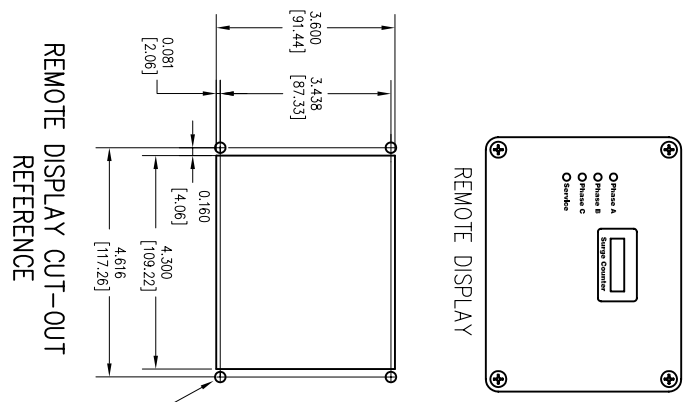


SURGE PROTECTIVE DEVICE (SPD) WEIGHTS & DIMENSIONS



SPECS:
 DESC: TPS3-01-MCC SPD MODULE
 WITH OPTION (N) MOTOR CONTROL CENTER
 KA RATING: 100-300
 In RATING: 20KA
 OVERALL DIM: 11.5" L x 5.58"W x4.5"D
 MAT: ALUMINUM, 16 GAUGE
 FINISH: BLACK ANODIZED
 NEMA RATING: 1
 DEVICE WEIGHT: 4.55 LBS. (2.06 KG.)

| Rev | C.N. | Date |
|-----|------|-------------------------|
| △ | | Denotes latest changes. |
| □ | | Critical dimension. |

| | | | |
|-------------|-------------|------|---------|
| DESIGNED BY | H. DRINGERS | DATE | 6/17/26 |
| DRAWN BY | | DATE | 6/17/26 |
| CHECKED BY | | DATE | 6/17/26 |
| APPROVED BY | | DATE | 6/17/26 |

| | | |
|-------------------|----------|------------|
| TPS3-01-MCC | 100-300K | SPD MODULE |
| 43D-TPS3-01-MCC-M | NONE | 1 OF 1 |

Confidential - Property of Siemens Industry, Inc. Building Technologies Division