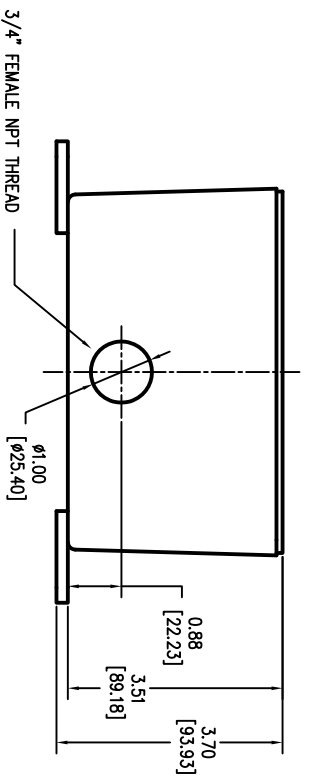
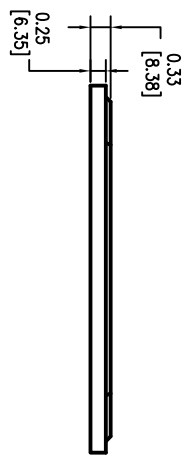
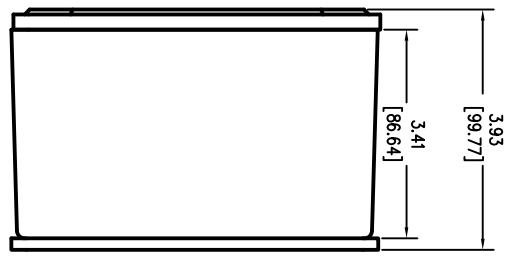
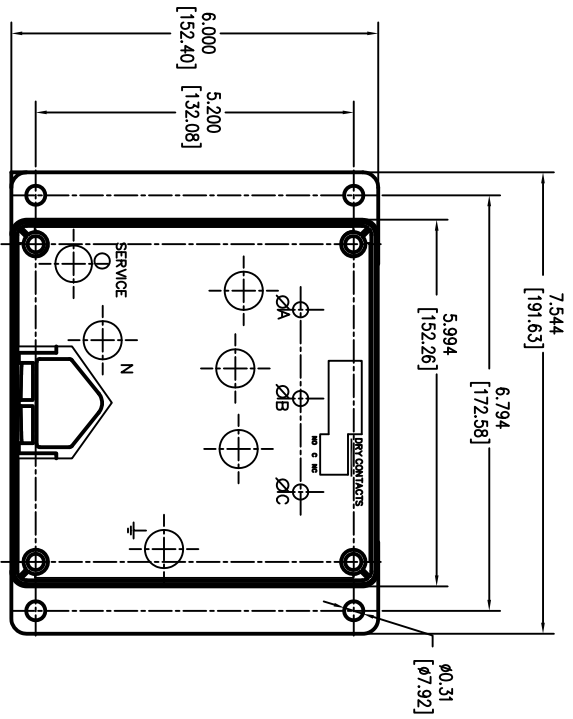
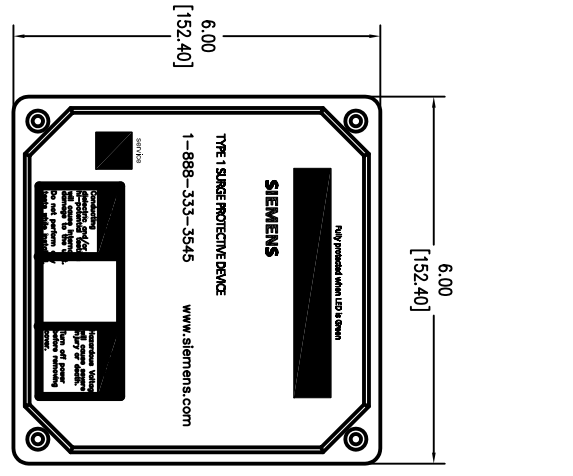


**SURGE PROTECTIVE DEVICE (SPD)
WEIGHTS & DIMENSIONS
NEMA RATING: 4X NON METALLIC**



ENCLOSURE SPECS.:
DESC: NON-METALLIC ENCLOSURE
DIM: 6.00"H x 6.00"W x 3.93"D
MAT: POLYCARBONATE (V2 & F1)
FINISH: GRAY
NEMA RATING: 4X
DEVICE WEIGHT: 4.95LBS. (2.24KG.)

Rev	C.N.	Date
△		
□		

Denotes latest changes.
Critical dimension.

DESIGNED BY	H. DRIGERS	DATE	6/17/26
DRAWN BY	MAD	DATE	6/17/26
CHECKED BY		DATE	
APPROVED BY		DATE	

Siemens Industry, Inc.
Building Technologies Division

TPS3-11 SERIES
100K-200K
NEMA: 4X

FIG. NO. 43D-TPS3-11-4XM
SCALE NONE
SHEET 1 OF 1