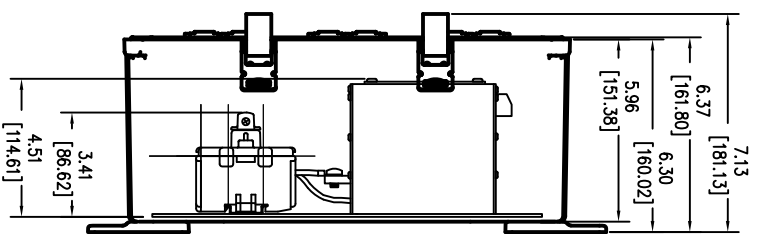
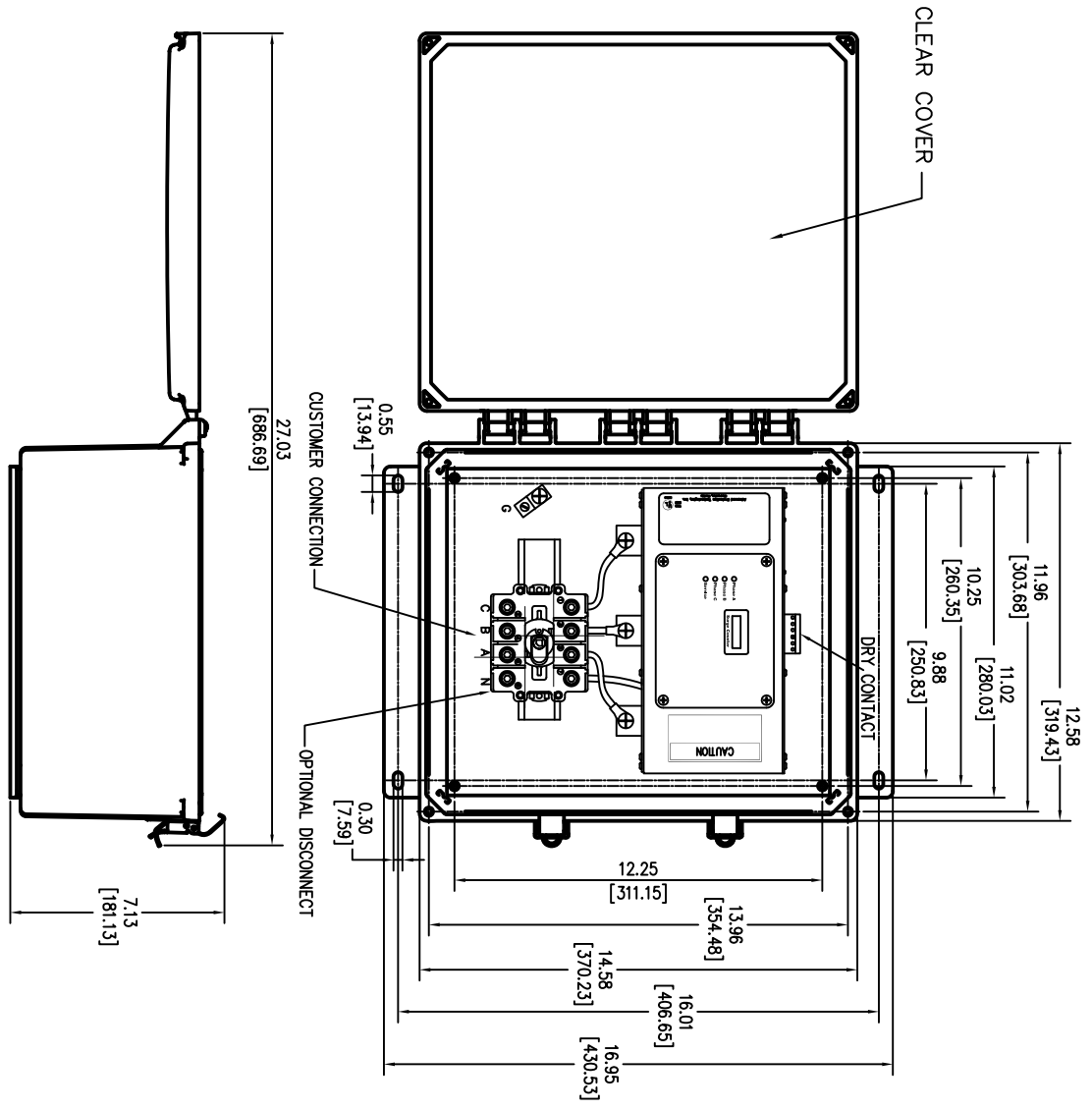


**SURGE PROTECTIVE DEVICE (SPD)
WEIGHTS & DIMENSIONS
NEMA RATING: 4X NON METALLIC**



ENCLOSURE SPECS.
DESC: NON METALLIC ENCLOSURE, HINGED
DIM: 14" H x 12" W x 7" D
MAT: POLYCARBONATE
FINISH: GRAY
NEMA RATING: 4X
DEVICE WEIGHT: 13.80LBS. (6.28KG.)

Rev	C.N.	Date
△	-	Denotes latest changes.
□	-	Critical dimension.

DESIGNED BY H. DRIGGERS DATE 6/2/28	Siemens Industry, Inc. Building Technologies Division
CHECKED BY M.A.D. DATE 6/27/28	
TPS3-12 SERIES 100K-300K w/DS NEMA RATING: 4X	
43D-TPS3-12300DS-4XPM	
NONE	SHEET 1 OF 1