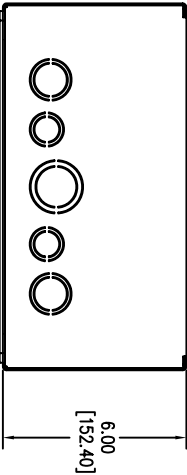
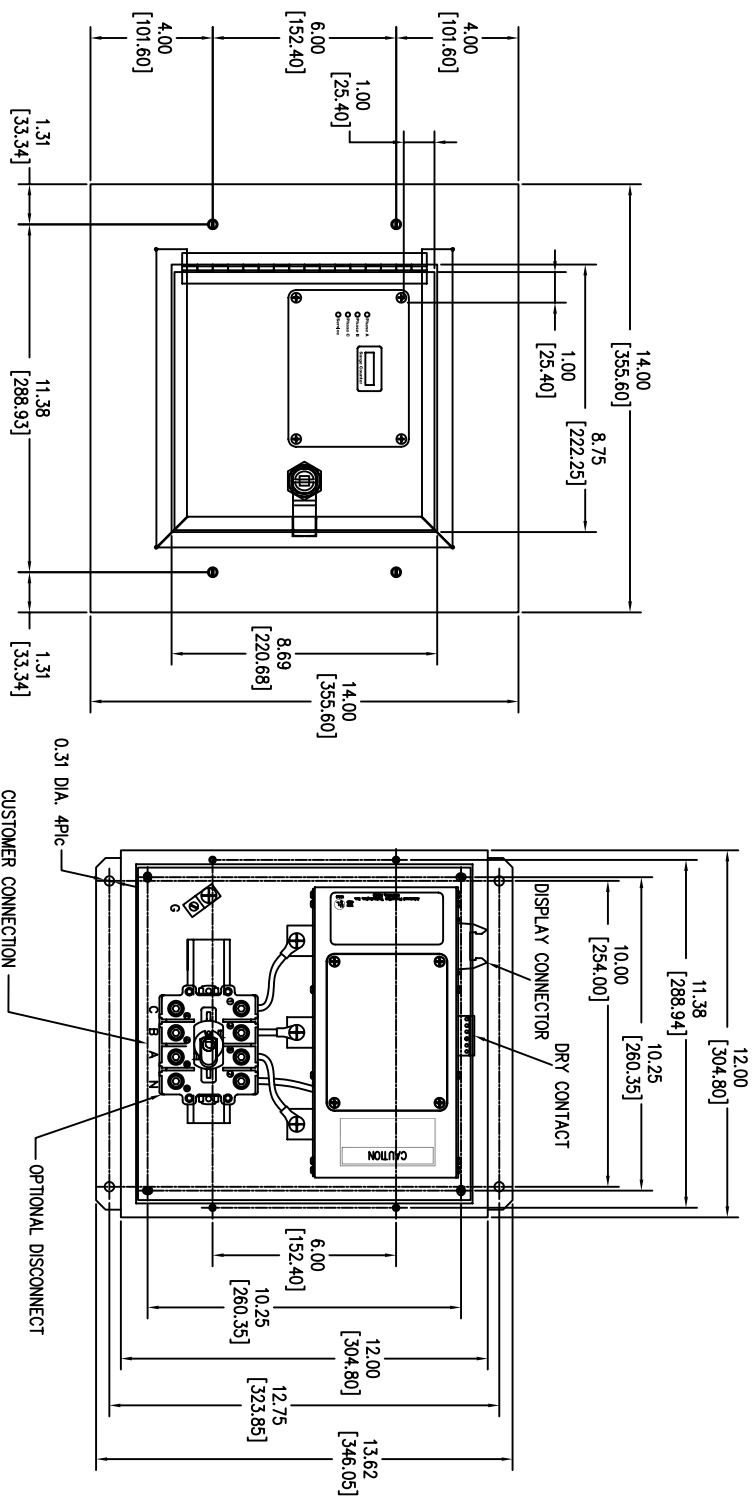


**SURGE PROTECTIVE DEVICE (SPD)  
WEIGHTS & DIMENSIONS  
NEMA RATING: 1 FLUSHMOUNT**



ENCLOSURE SPECS.  
DESC: ENCLOSURE, FLUSHMOUNT PULLBOX  
DIM: 12"H x 12"W x 6"D  
MAT: CARBON STEEL, 16 GAUGE  
FINISH: POWDERCOAT ANSII 61 GRAY  
NEMA RATING: 1  
DEVICE WEIGHT: 20.50LBS. (9.3KG.)

| Rev | C.N. | Date                    |
|-----|------|-------------------------|
| △   | -    | Denotes latest changes. |
| □   | -    | Critical dimension.     |

|             |                       |      |         |
|-------------|-----------------------|------|---------|
| DESIGNED BY | H. DRINGENS           | DATE | 6/17/26 |
| CHECKED BY  |                       | DATE |         |
| APPROVED BY |                       | DATE |         |
| PROJECT     | TPS3-12 SERIES        |      |         |
|             | 100K-300K W/DS        |      |         |
|             | FLUSHMOUNT NEMA: 1    |      |         |
| DWG. NO.    | 43D-TPS3-12300DS-FM1M |      |         |
| SCALE       | NONE                  |      |         |
| SHEET       | 1 OF 1                |      |         |

Confidential - Property of  
**Siemens Industry, Inc.**  
Building Technologies Division