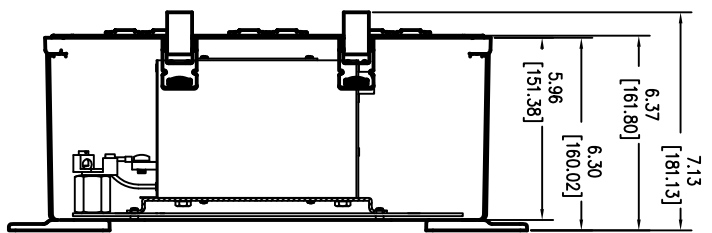
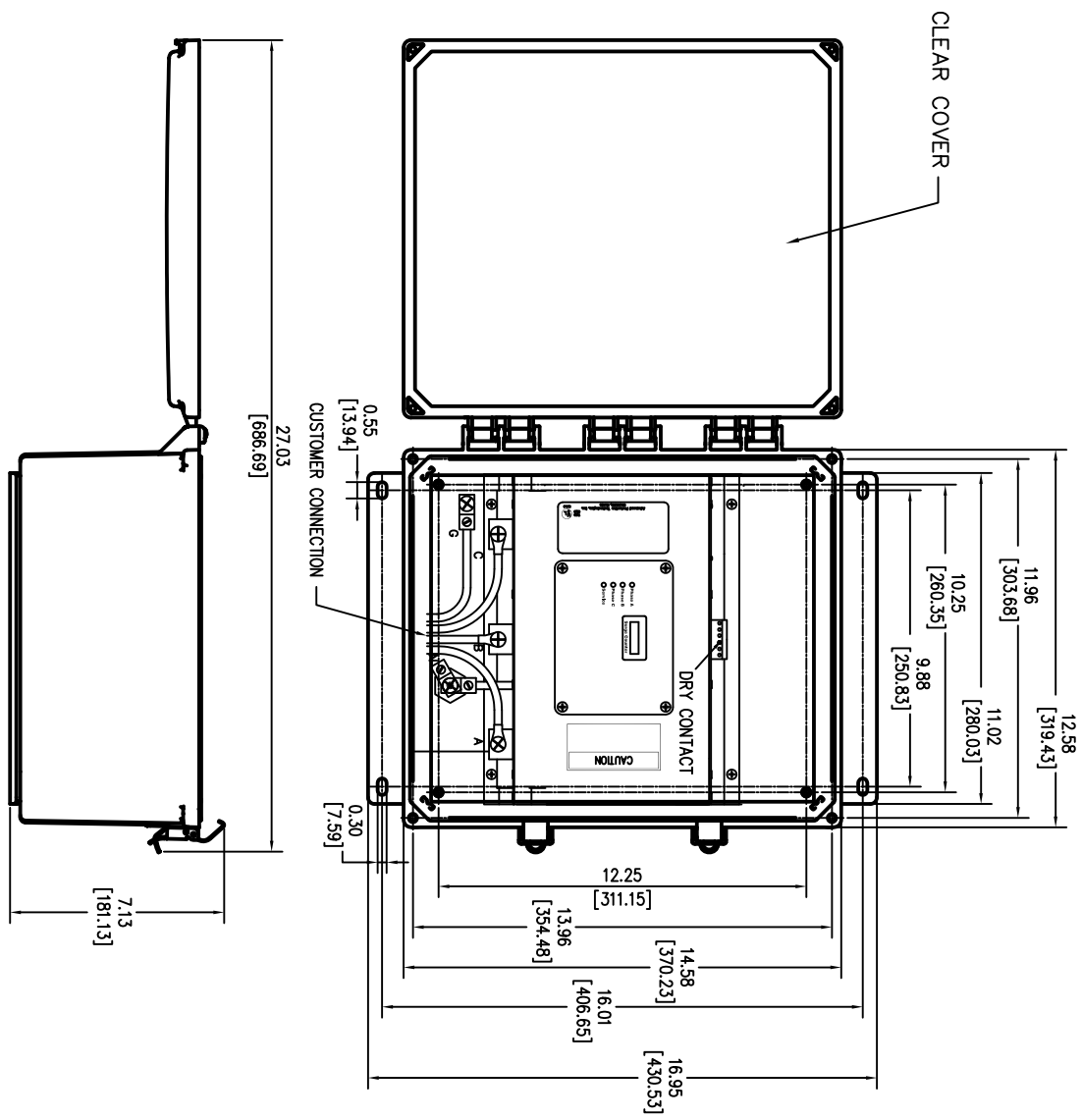


SURGE PROTECTIVE DEVICE (SPD)
WEIGHTS & DIMENSIONS
NEMA RATING: 4X NON-METALLIC



ENCLOSURE SPECS.
DESC: NON-METALLIC ENCLOSURE, HINGED
DIM: 14"H x 12"W x 7"D
MAT: POLYCARBONATE
FINISH: GRAY
NEMA RATING: 4X
DEVICE WEIGHT: 14.40LBS. (6.53KG.)

Rev	C.N.	Date
△		Denotes latest changes.
□		Critical dimension.

DESIGNED BY	H. DRIGGERS	DATE	6/2/26
CHECKED BY	MAG	DATE	6/2/26
APPROVED BY		DATE	6/2/26

TPS3-12 SERIES	400K-500K W/O DS	NEMA RATING: 4X
43D-TPS3-12500-4XPM		
SHEET	1 OF 1	

Confidential - Property of
Siemens Industry, Inc.
Building Technologies Division