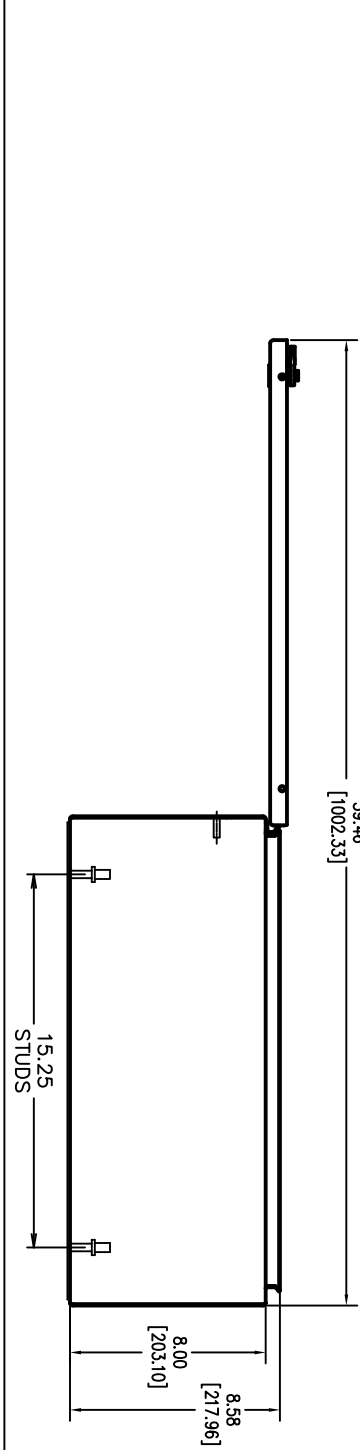
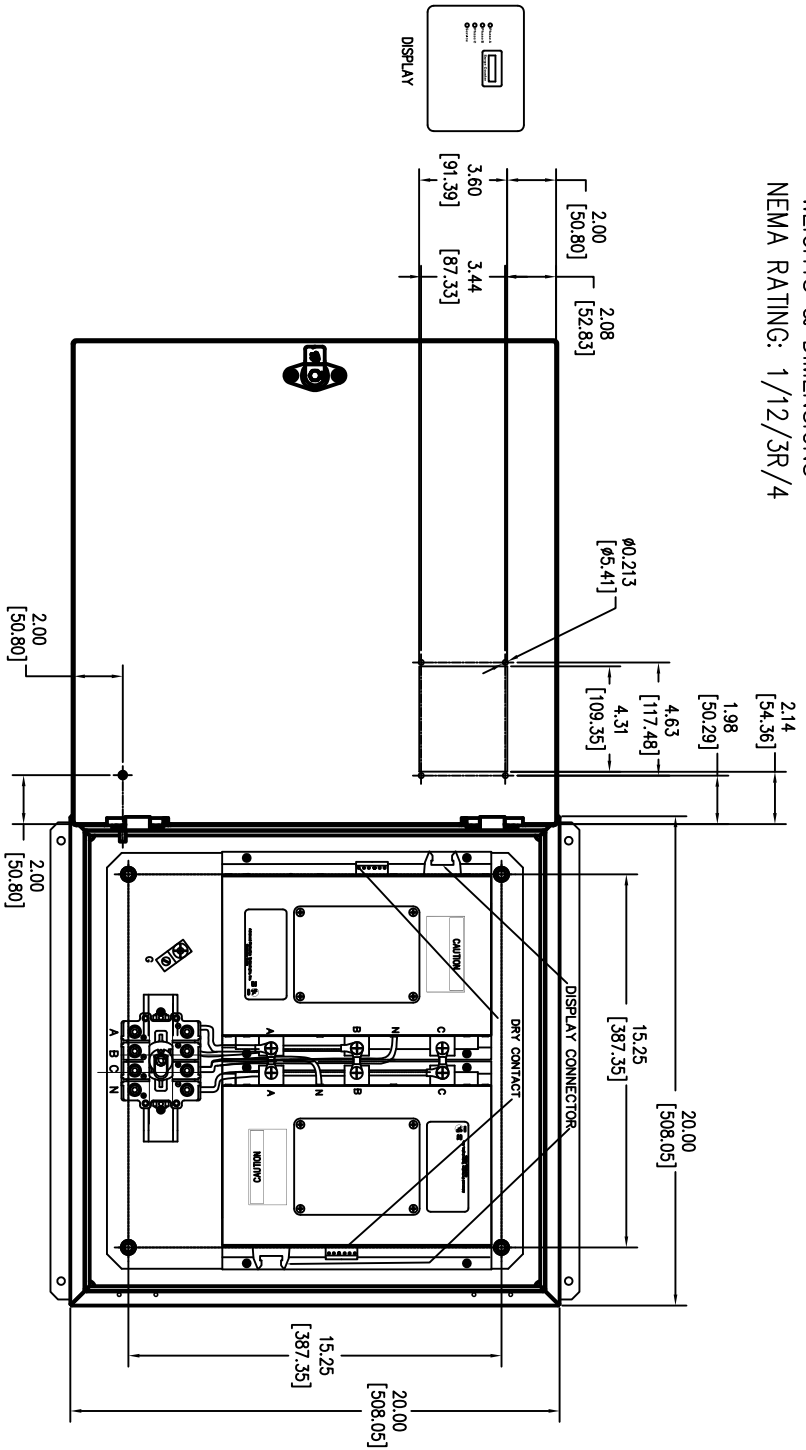


**SURGE PROTECTIVE DEVICE (SPD)
WEIGHTS & DIMENSIONS
NEMA RATING: 1/12/3R/4**



ENCLOSURE SPECS:
DESC: ENCLOSURE, HINGED
DIM: 20"H x 20"W x 8"D
FINISH: POWDERCOAT ANSI 61 GRAY
MATERIAL: CARBON STEEL, 14 GAUGE
NEMA RATING: 1/12/3R/4
DEVICE WEIGHT: 51.95LBS. (23.56KG.)

| Rev | C.N. | Date |
|--|-----------------------|---------|
| △ | | |
| □ | | |
| Denotes latest changes. | | |
| Critical dimension. | | |
| DATE | BY | CHKD |
| 4/12/20 | H. DRIGGERS | 4/12/20 |
| DESIGNED | MAG | 4/12/20 |
| Confidential - Property of Siemens Industry, Inc. Building Technologies Division | | |
| TPS3-15 SERIES | | |
| 400K-1k w/ DS | | |
| NEMA RATING: 1/12/3R/4 | | |
| DWG NO. | 43D-TPS3-15IKDS-123RM | |
| SCALE | NONE | |
| SHEET | 1 OF 1 | |