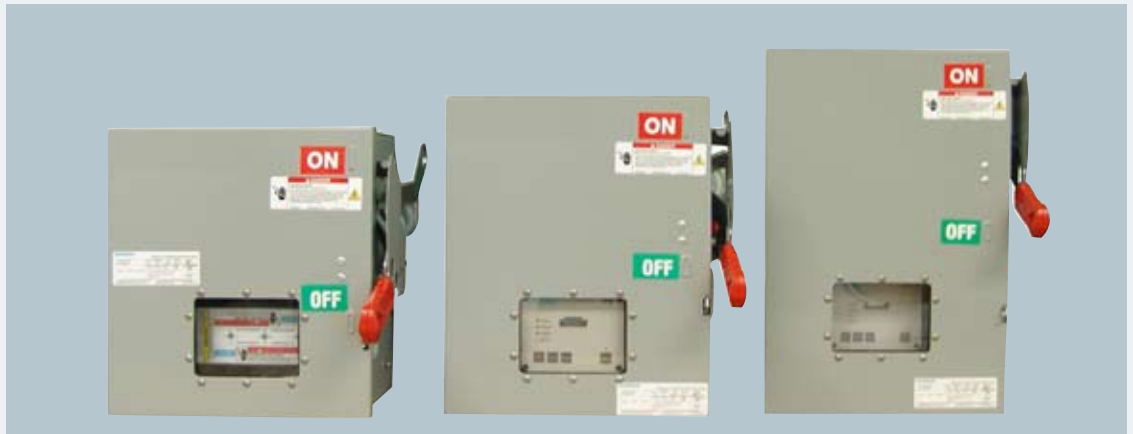


Introducing Siemens new Sentron SPD Bus Plugs UL 1449 3rd Edition



The high cost of power quality related disturbances

As today's society becomes increasingly reliant on digital technology the importance of reliable, clean electrical power continues to grow. Mission critical and Industrial facilities have become increasingly sensitive to disturbances in the power supply. Data centers and continuous process manufacturing facilities are particularly vulnerable. Any interruption can disrupt business operations and result in significant financial losses.

Consider the costs:

- An estimated 30,000 industrial customers are affected by power quality problems each day.
- Annual U.S. economic losses from power quality phenomena are in excess of \$15 billion.
- Mission-critical facility losses attributed to power outages exceed \$10 billion per year, with 50% attributed to power quality issues.

The Siemens advantage...

Siemens history of innovation and safety continues with our line of UL 1449 3rd Edition SPD's. The TPS Series utilizes thermally protected MOV's specifically designed for safe operation in high fault current or sustained overvoltage conditions that can cause other SPD's to fail in an unsafe manner and damage other equipment in the distribution system. Every MOV, including N-G, is monitored. Indicator lights for each phase provide indication of loss of protection and phase loss protection. The direct bus, integral design reduces circuit impedance resulting in the lowest possible let-through voltages providing maximum protection to facility equipment and systems.

All TPS Series SPD's:

- UL 1449 3rd Edition Listed, CUL, CE Mark
- Designed, tested, manufactured to ANSI/IEEE C62.42.1 – 2002, C62.41.2 – 2002, C62.45 – 2002
- Provide indication of loss of protection on each phase and phase loss
- Include all UL-required over current protection and safety coordination inside
- Prevent internally generated surges from propagating throughout a facility and externally generated surges from reaching sensitive loads

Sentron SPD Bus Plugs

Answers for industry.

SIEMENS



High Exposure Applications - TPS6

- 400kA – 500kA per phase
- 200kA SCCR
- 20kA nominal discharge current
- Indicator lights, audible alarm and dry contacts standard
- Individually fused, thermally protected MOV's
- EMI/RFI filtering
- Surge counter optional



Medium Exposure Applications - TPS1

- 100kA – 300kA per phase
- 200kA SCCR
- 20kA nominal discharge current
- Indicator lights, audible alarm and dry contacts standard
- Individually fused, thermally protected MOV's
- EMI/RFI filtering
- Surge counter optional



Low Exposure Applications - TPS9

- 100kA per phase
- 200kA SCCR
- 20kA nominal discharge current
- Indicator lights standard
- Individually fused, thermally protected MOV's
- Dry contacts and audible alarm optional

SENTRON SPD Bus Plug Numbering System



Plug Type

STP = Sentron SPD VBII

Orientation

H = Horizontal
R = Riser

Configuration (Poles/Wires)

3 = 3Ø 3W
4 = 3Ø 4W

IP Rating

4 = IP55

Ground Designation

G = Internal Ground (Isolated ground available as custom)

Voltage Code

A = 120/240V 1Ø 3W
B = 240/120V 3Ø 4W
D = 240V 3Ø 3W
E = 480Y/277V 3Ø 4W
F = 480V 3Ø 3W
G = 600V 3Ø 3W ①
L = 600Y/347V 3Ø 4W

TPS Model Number

01 = TPS 1 ④
1L = TPS1L (10 Mode) ② ④
06 = TPS 6 ④
6L = TPS6L (10 Mode) ② ④
09 = TPS 9 ③

Surge Current (kA)

10 = 100kA per Phase	TPS1, TPS9
15 = 150kA per Phase	TPS1L
20 = 200kA per Phase	TPS1
25 = 250kA per phase	TPS1
30 = 300kA per Phase	TPS1, TPS1L
40 = 400kA per Phase	TPS6
45 = 450kA per Phase	TPS6L
50 = 500kA per Phase	TPS6

Options

TPS1 and TPS6:
R = Remote Monitor
X = Surge Counter
TPS 9:
D = Dry Contact & Audible Alarm

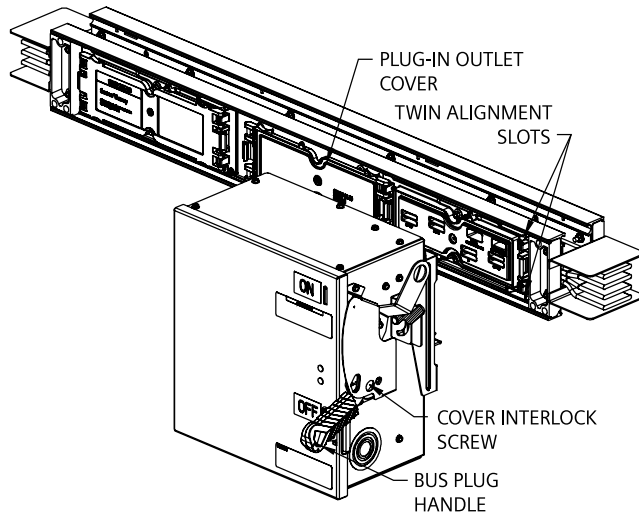
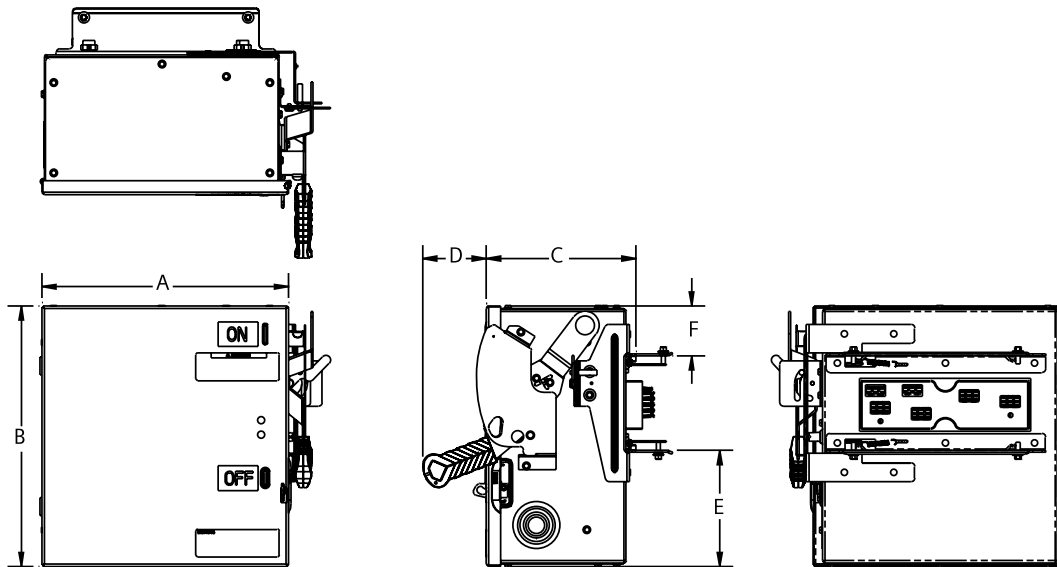
Notes:

- ① Available in 100kA & 150kA for TPS1 and 100kA, 150kA, 200kA & 250kA for TPS6.
- ② The 10 mode devices provide additional circuit protection for Line to Neutral and Neutral to Ground. The 10 modes of protection are: L1-G, L2-G, L3-G, L1-L2, L2-L3, L1-L3, L1-N, L2-N, L3-N, N-G.
- ③ Standard features: indicator lights.
- ④ Standard features: indicator lights, dry contacts, audible alarm with silence switch, test button.

Horizontal TVSS bus plugs dimensions and weights

Horizontal TVSS bus plugs dimensions and weights

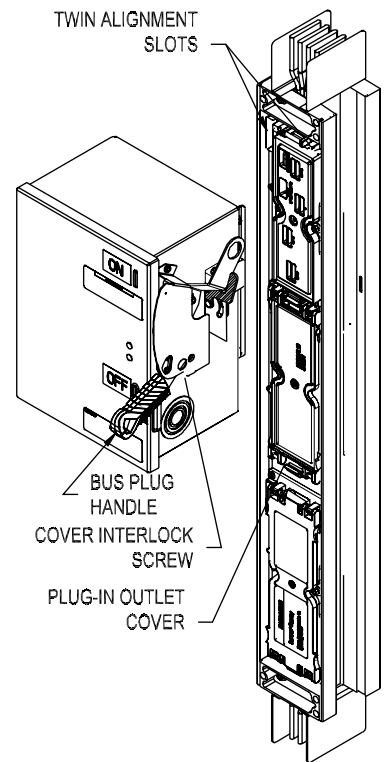
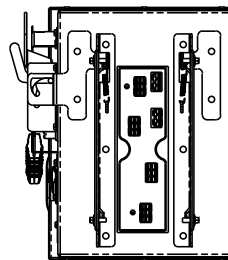
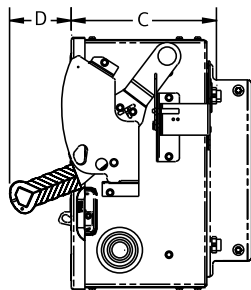
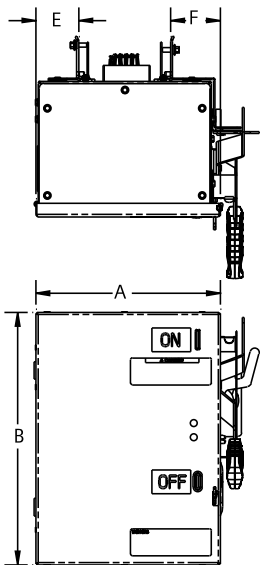
Plug type	Dimensions inches (mm)						Weight lbs. (kgs)
	"A"	"B"	"C"	"D" max.	"E"	"F"	
TPS 9	13.25 (336)	13.86 (352)	7.96 (202)	2.60 (66)	6.18 (156)	2.66 (67)	30 (13.63)
TPS 1	13.25 (336)	15.86 (402)	7.96 (202)	2.60 (66)	8.18 (207)	2.66 (67)	35 (15.90)
TPS 6	13.25 (336)	19.86 (504)	7.96 (202)	2.60 (66)	12.18 (372)	2.66 (67)	38 (17.27)



Riser TVSS bus plugs dimensions and weights

Riser TVSS bus plugs dimensions and weights

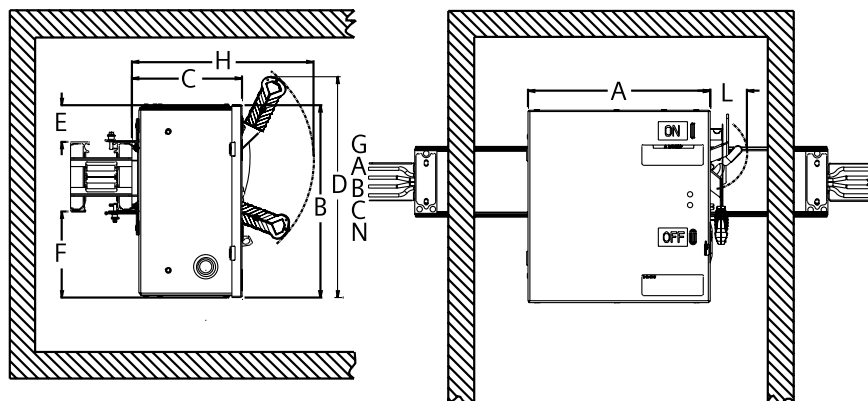
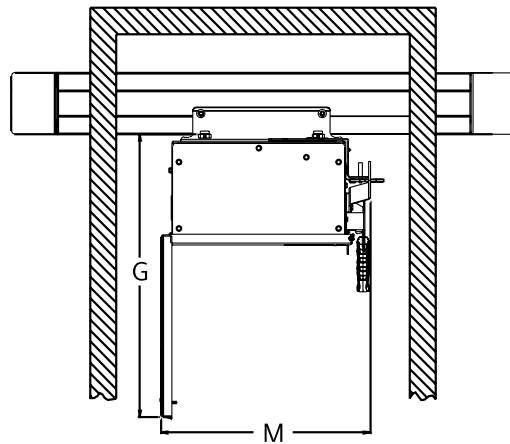
Plug type	Dimensions inches (mm)						Weight lbs. (kgs)
	"A"	"B"	"C"	"D" max.	"E"	"F"	
TPS 9	10.25 (260)	13.86 (352)	7.96 (202)	5.25 (133)	2.74 (69)	2.36 (59)	25 (11.36)
TPS 1	11.25 (286)	19.36 (492)	7.96 (202)	5.25 (133)	7.74 (196)	3.36 (85)	35 (15.90)
TPS 6	15.00 (381)	22.86 (580)	10.58 (268)	5.25 (133)	5.11 (129)	4.74 (120)	45 (20.45)



Horizontal TVSS bus plugs dimensions and weights

Wall clearance and bus plug dimensions horizontal (inches/mm)

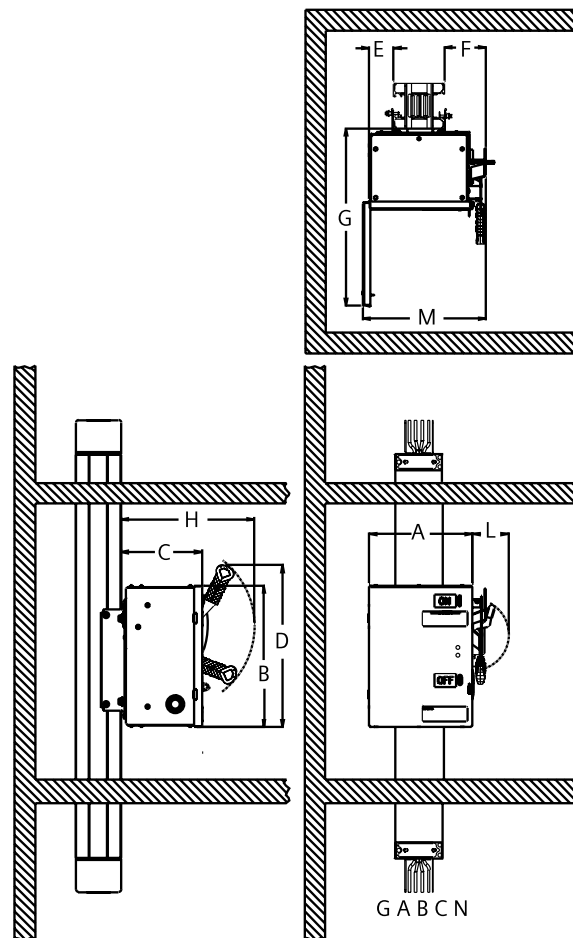
Dimensions	TPS-9	TPS-1	TPS-6
A	13.25 (336)	13.25 (336)	13.25 (336)
B	13.86 (352)	15.86 (402)	19.86 (504)
C	7.96 (202)	7.96 (202)	7.96 (202)
D	15.89 (403)	17.68 (449)	17.68 (449)
E	6.19 (157)	8.19 (208)	8.19 (208)
F	2.67 (67)	2.67 (67)	6.67 (169)
G	20.39 (517)	20.39 (517)	20.39 (517)
H	13.09 (332)	13.09 (332)	13.09 (332)
L	2.65 (67)	2.65 (67)	2.65 (67)
M	15.07 (382)	15.07 (382)	15.07 (382)



Riser TVSS bus plugs dimensions and weights

Wall Clearance and Bus Plug Dimensions Riser (inches/mm)

Dim.	TPS-9	TPS-1	TPS-6
A	10.25 (260)	11.25 (286)	14.80 (376)
B	13.86 (352)	19.36 (492)	22.86 (580)
C	7.96 (202)	7.96 (202)	10.58 (268)
D	15.89 (403)	17.68 (449)	21.8 (554)
E	2.74 (69)	7.74 (196)	5.11 (129)
F	2.36 (59)	3.36 (85)	4.74 (120)
G	17.39 (441)	18.39 (467)	24.76 (628)
H	13.09 (332)	13.09 (332)	16.55 (420)
L	3.55 (90)	3.55 (90)	2.65 (67)
M	12.07 (306)	13.07 (331)	21.00 (533)



Siemens Industry, Inc.
Building Technologies Division
5400 Triangle Parkway
Norcross, GA 30092
1-800-964-4114
info.us@siemens.com

Subject to change without prior notice
Order No.: BUFL-SPDPL-1009
All rights reserved
Printed in USA
© 2009 Siemens Industry, Inc.

www.usa.siemens.com/busway

The information provided in this brochure contains merely general descriptions or characteristics of performance which in case of actual use do not always apply as described or which may change as a result of further development of the products. An obligation to provide the respective characteristics shall only exist if expressly agreed in the terms of contract.

All product designations may be trademarks or product names of Siemens AG or supplier companies whose use by third parties for their own purposes could violate the rights of the owners.